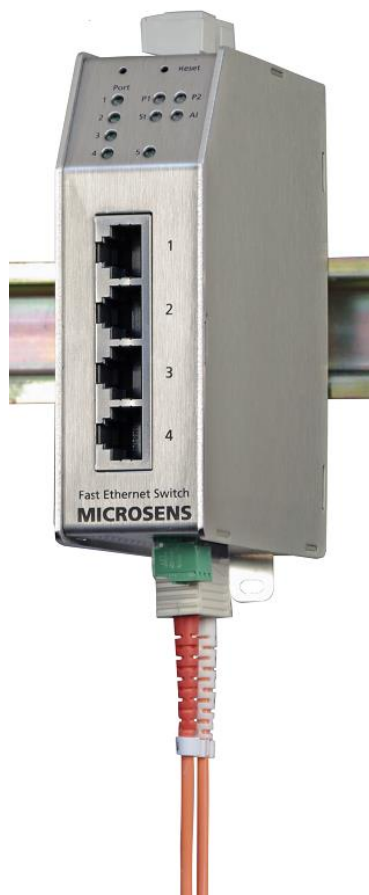


Datasheet

5-Port FE Industrial Profi Line Switch (optionally with PoE)



■ Made
■ in
■ Germany

Features

Ethernet ports for demanding environments

The Industrial Profi Line Ring Switch with Fast Ethernet fiber optic ports is the compact, robust and flexible answer to the ever increasing requirement for Ethernet ports in demanding environments.

Robust

Modern, IP-based applications such as networks for large-area WiFi coverage or video surveillance systems become reliable, fail-safe and remotely manageable with this switch. The 5-port FE ring switch meets the high demands on robustness, fail-safety and offers a wide range of functionalities.

Reliable

Two independently integrated power supplies allow redundant power supply in DC voltage which is typical in a DIN-rail system (depending on the version typ. 24VDC / 48VDC).

PoE

A dedicated version with PoE function (according to IEEE802.3af) offers the necessary equipment for a PoE end device in a power supply-less solution.

Technical Details

Fast Ethernet Switch

Type	Fan less Fast Ethernet Switch Layer 2+, IEEE 802.3 compliant
Performance	Store-and-forward Full wire-speed, non-blocking on all ports
MAC-Addresses	1.024 Adressen, automatic Learning und Aging
VLANs	Tagging IEEE802.3ac Priorisation IEEE 802.1p VLAN-IDs 0..4095 stat. / dyn. VLAN-Table
QoS	4 Hardware-Queues per Port Priorisation after: <ul style="list-style-type: none"> • IPv4/IPv6 • VLAN Prio IEEE 802.1p • Port Weighting configurable

Environment

Operation	-20..+60 °C
Operation (X-Ver.)	-40..+75 °C
Humidity	5 ..90%, nicht kondensierend
Storage	-40..+85 °C

Local Ports (Twisted Pair)

Quantity	4
Type	Fast Ethernet, Dual Speed 10/100Base-TX
Connection	RJ-45 Socket, shielded
Cable type	Twisted-Pair Cable, Category 5, Impedance 100 Ohm, Length max. 100 m
Flow Control	Pause Frames (IEEE 802.3x), configurable
Pin assignment	Auto MDI/MDI-X, Auto Polarity
Power-over-Ethernet (only PM-Models)	Power Sourcing Equipment (PSE) IEEE 802.3af

Uplinks (FO)

Quantity	1
Typ	Fast Ethernet (100Base-FX)
Cable type	Multimode 62,5 or 50/125 µm Single Mode 9/125 µm

Power-over-Ethernet (only PM-Variante)

Type	4x PSE
Output	max. 15,4W/Port, total max. 65W

Displays

Link	Local Ports 1..4 <i>blinking green</i> Data transfer activated Uplink Ports 5 <i>blinking green</i> Data transfer activated
Power	P 1..2 <i>green</i> Voltage ok <i>orange</i> Voltage too low
Others	Alarm (AI) <i>off</i> Relay contact not activated (normal) <i>orange</i> Relay contact activated

Control panel

Reset-Button	Reset the switch, restore the last saved configuration IP configuration for management
Factory-Button	Resetting the configuration to factory settings, can be switched off

Alarm contact

Connection	2-pin, potential-free alarm contact
Display	Alarm-LED (see displays)
Event	Activates after failure of <ul style="list-style-type: none"> ▪ a supply voltage

Technical Details

Power supply (24VDC)

Input	24VDC
Power input	typ. 6W
Connection	2x 2-pin, Screw connection (+/-)
Grounding	via DIN rail / grounding screw

Weight	790g
Cooling	Passiv, Fanless

Power supply (48VDC – PM-Variante)

Input	48VDC
Power input	typ. 6W (without PoE) max. 65W (incl. PoE)
Connection	2x 2-pin, Screw connection (+/-)
Grounding	via DIN rail / grounding screw

Standards

CE	2004/108/EC (EMV) 2006/95/EG (Low voltage)
Mounting	DIN EN 50 022
Safety	EN 60950-1:2006
Interference emission	EN 55022:2006
Interference resistance	EN 55024:1998

Reliability

MTBF	400.000h
Method	Calculated, MIL HDBK-217F

Mechanical

Dimensions	36x116x108mm (WxHxD)
-------------------	----------------------

Alarm contact

Connection

The two-pin, potential-free alarm contact enables monitoring of the operating status via a connected external signal transmitter.

The contact of the alarm relay is positioned in the form of a clamp underneath the device.

Assignment

The switch contact can be assigned as needed:

- NO = Normal Open
- NC = Normal Closed

The signal status is confirmed by LED indicators (alarm LED).

Event

Alarm triggered when the supply voltage is interrupted.

Attention!

The maximum contact load capacity is 0.5 A at max. 60 V DC.

NOT suitable for the direct connection of 230 VAC devices!

Features Networkmanagement

You can find a current overview of all network features in our document „[Firmware Features](#)“.

The document is available at www.microsens.de on the relevant product page in the download center.

IEEE- / RFC-Standards

The IEEE standards and RFCs supported by the Industrial Profi Line Switch can be found here „[Firmware Features](#)“.

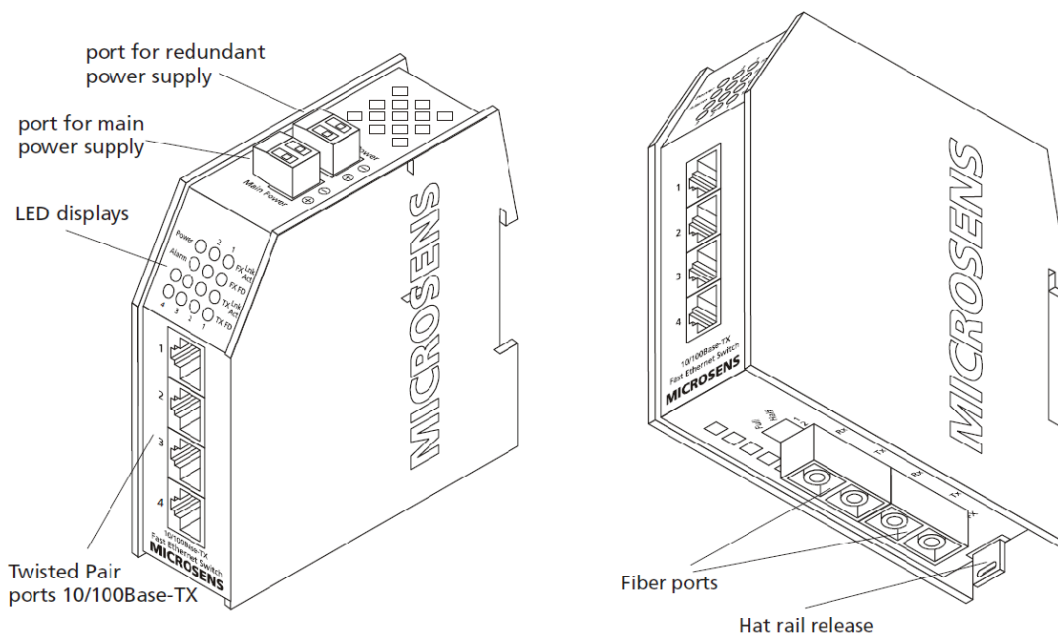
Qualität – Made in Germany

In order to guarantee a consistently high quality of the Switch, all versions are manufactured in Hamm, Germany.

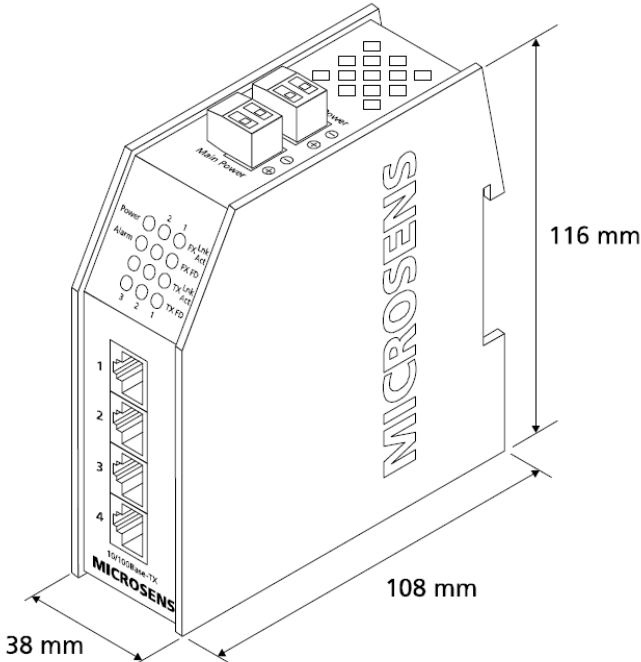
Here, all devices are subjected to a so-called burn-in test, which guarantees the reliability of the switch in long-term operation. For this purpose, the switches are tested for a longer period of time in permanent operation (approx. 48 h) under high load to check their functionality. In this way, we are able to detect early failures even before delivery.

Connections

(Only 1 optical fiber connection available, picture differs(!))



Dimensions





Order Information

Description	24VDC, non-PoE*	48VDC, 4x PoE
Industrial Profi Line Switch		
5-Port FE Industrial Profi Line Switch 1x 100FX ST/MM 1310nm, 4x 10/100TX, 2x VDC, DIN-Rail, managed, RC	MS650461M	MS650461PM-48
5-Port FE Industrial Profi Line Switch 1x 100FX SC/MM 1310nm, 4x 10/100TX, 2x VDC, DIN-Rail, managed, RC	MS650462M	MS650462PM-48
5-Port FE Industrial Profi Line Switch 1x 100FX SC/SM (15km) 1310nm, 4x 10/100TX, 2x VDC, DIN-Rail, managed, RC	MS650464M	MS650464PM-48
5-Port FE Industrial Profi Line Switch 1x 100FX ST/SM (15km) 1310nm, 4x 10/100TX, 2x VDC, DIN-Rail, managed, RC	MS650465M	MS650465PM-48
5-Port FE Industrial Profi Line Switch 1x 100FX SC/SM (40km) 1310nm, 4x 10/100TX, 2x VDC, DIN-Rail, managed, RC	MS650467M	MS650467PM-48
5-Port FE Industrial Profi Line Switch 1x 100FX ST/SM (40km) 1310nm, 4x 10/100TX, 2x VDC, DIN-Rail, managed, RC	MS650468M	MS650468PM-48
5-Port FE Industrial Profi Line Switch 1x 100FX SC/SM (80km) 1550nm, 4x 10/100TX, 2x VDC, DIN-Rail, managed, RC	MS650469M	MS650469PM-48

* also available in the X version with extended operating temperature range (-40..+75°C).

Accessories

	Description	Art.-NO.
	External power supplies for industrial use 24 VDC	
	Industrial DIN-Rail power supply 24VDC/1,25A (30W) Input 100..240VAC/120..375VDC, Out: 24..28VDC, -20..+70°C	MS700440
	External power supplies for industrial use with PoE 48VDC	
	DIN-power supply 48..56 VDC / 1,25 A, Wide range input 85..264 VAC/ 85..375 VDC	MS700430
	Network management	
	NMP Professional – Network Management Plattform Software incl. one year update license	MS200160-1
	NMP Professional – additional update license for n years	MS200161-n
	NMP Server – Network Management Plattform Software incl. one year update license	MS200164-1
	NMP Server – additional update license for n years	MS200165-n
	NMP Server - additional client access licenses	MS200166-Cn

Service

	Description	Art.-No.
	Warranty extension after 24-month manufacturer's warranty**	
	Warranty extension 1 extra year	MSGV01
	Warranty extension 2 extra years	MSGV02
	Warranty extension 3 extra years	MSGV03
	Pre-configuration according to customer requirements	
	Pre-configuration according to customer requirements	MSKonfig

** The manufacturer's warranty is defined in the general terms and conditions ([AGB \(§9\)](#)) of MICROSENS GmbH & Co. KG.

This document in whole or in part may not be duplicated, reproduced, stored or retransmitted without prior written permission of MICROSENS GmbH & Co. KG. All information in this document is provided 'as is' and subject to change without notice. MICROSENS GmbH & Co. KG disclaims any liability for the correctness, completeness or quality of the information provided, fitness for a particular purpose or consecutive damage. MICROSENS is a trademark of MICROSENS GmbH & Co. KG. Any product names mentioned herein may be trademarks and/or registered trademarks of their respective companies. 19/2019pk/mr – translated fdb 37/2020